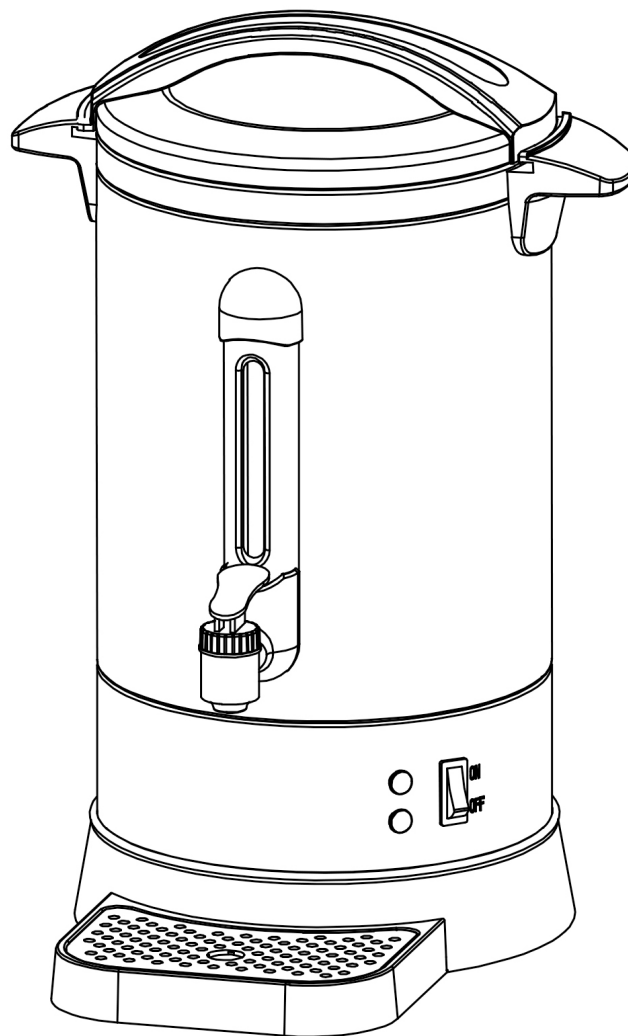


baridi

Baridi Hot Water Boiler, Tea Urn With Drip Tray, Keep Warm Function and Water Gauge, Stainless Steel/Black



Models: DH269, DH270, DH431

Thank you for purchasing a Dellonda product. Manufactured to a high standard, this product will, if used according to these instructions, and properly maintained, give you years of trouble free performance.

Important Information

Please read these instructions carefully. Note the safe operational requirements, warnings & cautions. Use the product correctly and with care for the purpose for which it is intended. Failure to do so may cause damage and/or personal injury and will invalidate the warranty. Keep these instructions safe for future use.



Refer to
instruction
manual



Indoor use
only



Warning
Electricity
shock hazard

Specification

MODEL NO:	DH269	DH270	DH431
Capacity:	10L	20L	20L
Colour of Product:	Silver	Silver	Black
Electrical Class:	Class 1	Class 1	Class 1
Material:	Outer Layer - SS430 Inner Layer - SS304	Outer Layer - SS430 Inner Layer - SS304	Outer Layer - SS430 Inner Layer - SS304
Nett Weight:	2.2kg	2.85kg	2.85kg
Plug Type:	3-Pin BS	3-Pin BS	3-Pin BS
Fuse	13 Amp	13 Amp	13 Amp
Power Cable Length:	1.2m inc. plug	1.2m inc. plug	1.2m inc. plug
Product Dimensions (W x D x H):	316 x 336 x 474mm (inc drip tray)	368 x 398 x 530mm (inc drip tray)	368 x 398 x 530mm (inc drip tray)
Rated Power:	950W	1650W	1650W
Supply:	230V~50Hz	230V~50Hz	230V~50Hz
Thickness:	Outer Layer - 0.4mm Inner Layer - 0.3mm	Outer Layer - 0.4mm Inner Layer - 0.3mm	Outer Layer - 0.4mm Inner Layer - 0.3mm
Ambient Operating Temperature	5°C - 45°C	5°C - 45°C	5°C - 45°C

Safety Instructions

- **WARNING!** The warnings, cautions and instructions in this manual cannot cover all possible conditions and situations that may occur. It must be understood by the operator that common sense and caution are factors which cannot be built into this product, but must be applied by the operator.
- This manual explains the proper use of your hot water boiler, please read it carefully before using even if you are familiar with the product. The manual should be kept in a safe place for future reference.

GENERAL SAFETY

Read all safety warnings, instructions, illustrations and specifications provided with this product. Failure to follow all instructions listed below may result in electric shock, fire and/or serious injury.

ELECTRICAL SAFETY

- **WARNING!** It is the user's responsibility to check the following:
 - Check all electrical equipment and appliances to ensure that they are safe before using. Inspect power supply leads, plugs and all electrical connections for wear and damage. Dellonda recommend that an **RCD** (Residual Current Device) is used with all electrical products.
- Electrical safety information: It is important that the following information is read and understood.
- Ensure that the insulation on all cables and on the appliance is safe before connecting it to the power supply.
- Regularly inspect power supply cables and plugs for wear or damage and check all connections to ensure that they are secure.
- If the supply cord is damaged, it must be replaced by the manufacturer, its service agent or similarly qualified persons in order to avoid a hazard.
- **WARNING!** Important: Ensure that the voltage rating on the appliance suits the power supply to be used and that the plug is fitted with the correct fuse (see Specification table).
- **DO NOT** pull or carry the appliance by the power cable.
- **DO NOT** pull the plug from the socket by the cable.
- **DO NOT** use worn or damaged cables, plugs or connectors.
- Ensure that any faulty item is repaired or replaced immediately by a qualified electrician.
- If the cable or plug is damaged during use, switch off the electricity supply and remove from use.
- In the event of an accident or breakdown, switch off the electricity supply, if safe to do so and unplug the appliance. Remove from use after the appliance has cooled down sufficiently and can be safely drained of all remaining water.
- Ensure that repairs are carried out by a qualified electrician.
- **DO NOT** immerse the appliance or accessories (cable) in water or other liquids.
- **WARNING!** To prevent chafing of the cable, do not let the mains cord hang over the edge of a table or counter; or touch hot surfaces.
- **WARNING!** In order to avoid a hazard due to inadvertent resetting of the thermal cut-out, this appliance must not be supplied through an external switching device, such as a timer, or connected to a circuit that is regularly switched on and off by the utility.

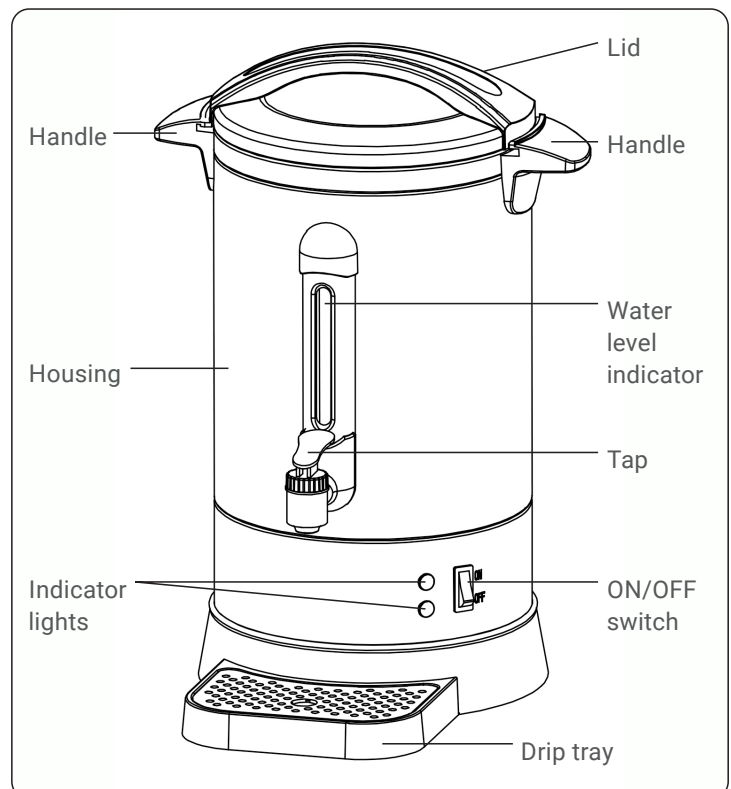
- **WARNING!** Never open the lid while the appliance is filled with hot liquid, as this can cause scalding. The lid must also not be left open during operation.
- **WARNING!** The appliance becomes hot during operation! **DO NOT** touch hot surfaces to avoid burns.
- **WARNING!** Switch off at the mains (unplug or disconnect from outlet) empty the water tank when not in use and before cleaning. Allow to cool before removing components.
- Ensure that the appliance is standing securely on a level surface.
- **DO NOT** use in ambient temperature conditions below 5°C to prevent the risk of freezing or above 45°C.
- **WARNING!** Only carry the appliance by the handles provided.
- **WARNING!** Never transport the hot water heater when filled with either hot or cold water. Always make sure the unit is unplugged from the mains electrical socket, and is empty before transporting.
- **DO NOT** lift the appliance by the lid while it is filled with water.
- **WARNING!** Children from age 8 years and above, persons with reduced physical, sensory, or mental capabilities those with lack of experience and knowledge can use the appliance, if they have been given supervision or instruction concerning use of the appliance in a safe way to understand the hazards involved.
- **WARNING!** Please take special care when children are in the vicinity during use.
- **WARNING!** Children shall **NOT** play with the appliance.
- **WARNING!** For professional repair only.
- **WARNING!** Cleaning and user maintenance on the appliance shall not be made by children without supervision.
- **WARNING!** Failure to maintain and/or operate this hot water boiler according to the manufacturer's instructions may result in conditions that can cause injury or damage to property. If in any doubt about the serviceability of the hot water boiler always contact Dellonda service centre for advice.
- The appliance shall be disconnected from its power source during service and when replacing parts.
- The use of spares and accessories not recommended by Dellonda may cause damage and/or injuries.
- **DO NOT** install the appliance in an area where a water jet could be used,
- **DO NOT** use outdoors.
- Keep the appliance away from direct sunlight, rain and moisture.
- **DO NOT** place on or a near a hot gas or electric burner.
- **DO NOT** use electrical appliances near highly flammable materials.
- **DO NOT** leave the appliance unattended when it is in operation.
- **DO NOT** use the appliance for anything other than its intended use.
- **DO NOT** use an external timer for the appliance.
- **DO NOT** exceed the maximum fill level, as this can result in burns from splashing liquids. Falling below the minimum fill level of one litre can result in damage to the appliance. Never start the appliance without water as this will damage the appliance.
- This appliance is intended to be used by trained users in household and similar applications such as:
 - Staff kitchen areas in shops, offices and other working environments;
 - Farm houses and by clients in hotels, motels and other residential type environments;
 - Bed and breakfast type environments;
 - Catering and similar non-retail applications.

Installation

- Before first use fill the heater with fresh, cold water and boil at least 3 times to remove any production residues and odours. In rare cases, this may be necessary more often.
- Ensure that the appliance is standing securely on level surface.
- Plug the cable into the socket to connect the appliance to the power supply.
- The hot water boiler has been fitted with a 13A plug. A suitable outlet is all that is required.
- No plumbing is required.
- **DO NOT** place it near sources of heat (e.g cooker, oven, etc).

Operation

- Fill the hot water boiler with cold water to the maximum capacity and be sure to close the lid.
- Connect hot water boiler into mains socket.
- Press the **ON/OFF** power button to '**ON**', the corresponding heating **LED** lights up.
- As soon as the water reaches the preset temperature, the **LED** keep warm light illuminates. The appliance maintains the temperature of the water. Please note that the thermostat switches at +/- 3°C, so the set temperature may vary slightly.
- When there is only one litre left in the appliance, switch it off and allow it to cool down. To do this, unplug the appliance from the mains supply.
- Allow the appliance to cool down for 10 minutes before filling it again and switching it on.
- If the minimum fill level is not reached, the appliance will switch off automatically. In this case, you should wait longer than 10 minutes before switching the appliance on again. Fill it up again before switching it on again.
- **DO NOT** use the hot water heater to store water. Empty the appliance after each use and refill it with fresh water before each use.

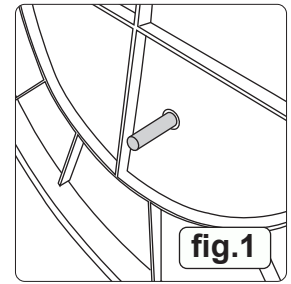


THERMOSTATIC CUT-OFF

The hot water boiler has a thermostatic cut-off switch fitted. If for some reason the boiler goes above temperature by a few degrees the thermostat will shut the power off.

To reset the switch:

1. Turn the power off at the electrical socket and remove the plug.
2. Wait for the appliance to cool down.
3. Drain the water.
4. Press the reset switch found on the base of the hot water boiler. (See fig.1). The red light will illuminate once the hot water boiler is plugged back in and filled with fresh water.



Maintenance

- **WARNING!** Disconnect from power supply before performing any maintenance.
- Descale the appliance regularly to prevent damage. Calcified appliances cannot be returned for warranty processing.
- Access to the service area is restricted to persons having knowledge and practical experience of the appliance, in particular as far as safety and hygiene are concerned.
- The only regular maintenance required is occasional descaling.
- **STORAGE** If the appliance is not in regular use or is to be stored then all water must be removed to prevent internal components from premature wear, the risk of freezing and to ensure continued safe use.

SAFETY-CHECK AFTER MAINTENANCE

- Is the power cord broken or damaged?
- Is the power plug firmly inserted into the socket?
- Is the power plug abnormally overheated.
- **NOTE:** If any part of the power cord or plug is damaged there is a serious risk of electric shock, fire and/or serious injury. If any abnormality is found, unplug the appliance, remove from use and contact Dellonda service centre.

Cleaning

- **WARNING!** Risk of scalding. Allow appliance to cool down before cleaning.
- Disconnect the plug from the power supply after use and before cleaning.
- The exterior may be cleaned with a damp cloth and a light detergent. **DO NOT** use abrasive cloths or creams, as this will spoil the finish of the machine. **DO NOT** use a water jet or spray.
- The drip tray and lid should be removed and cleaned regularly.

DESCALING PROCEDURE

- Turn the power off at the electrical socket and remove the plug.
- Allow to cool completely.
- Remove lid.
- Drain water.
- Remove as much scale as possible by hand.
- Use a reputable descaling product. Follow instructions carefully.
- Thoroughly clean and rinse before re-use.
- Follow operation instructions.

DESCALING TIP

- It may be more cost effective to descale using white vinegar.
1. Test the compatibility of the white vinegar / solution with the material in advance on a non-visible area and wait at least 20 minutes after it has been applied and washed off to see if any abnormalities become visible.
 2. White vinegar can be diluted 1:1 with water. A ratio of at least 1:5 should be selected for white vinegar essence. A milder dosage is usually advisable.
 3. When de-scaling, boil the white vinegar mixture in the appliance. Leave it to work for 30 to 45 minutes.
 4. Pour away the white vinegar solution after the reaction time and rinse the appliance thoroughly several times to prevent the white vinegar odour and taste from remaining. To rinse out, boil fresh water at least 3 times.
 5. If there is a strong vinegar odour, the appliance should then be left open for a while to air out.

Troubleshooting

FAULT	CHECK	SOLUTION
No operation	Is power switched off.	Switch on.
Temperature sensor failure		Call service centre.
Water not heating		Call service centre.



Environment Protection, Waste Electrical and Waste Electronic Equipment Regulations (WEEE)



Recycle unwanted packaging materials. When this product is no longer required, or has reached the end of its useful life, please dispose of in an environmentally friendly way. Drain any fluids (if applicable) into approved containers, in accordance with local waste regulations.



Please note that this product contains one or more batteries. It is our policy to continually improve products and we reserve the right to alter data, specifications and parts without prior notice. No liability is accepted for incorrect use of this product. Guarantee is 12 months from purchase date, proof of which is required for any claim.

Jack Sealey Ltd t/a Dellonda, Kempson Way, Suffolk Business Park, Bury St Edmunds, Suffolk, IP32 7AR UK
Jack Sealey (EU) Ltd t/a Dellonda, Farney Street, Carrickmacross, Co. Monaghan, A81 PK68 Ireland
Tel: 01284 757575 • Email: support@dellonda.co.uk • Web: www.dellonda.co.uk